

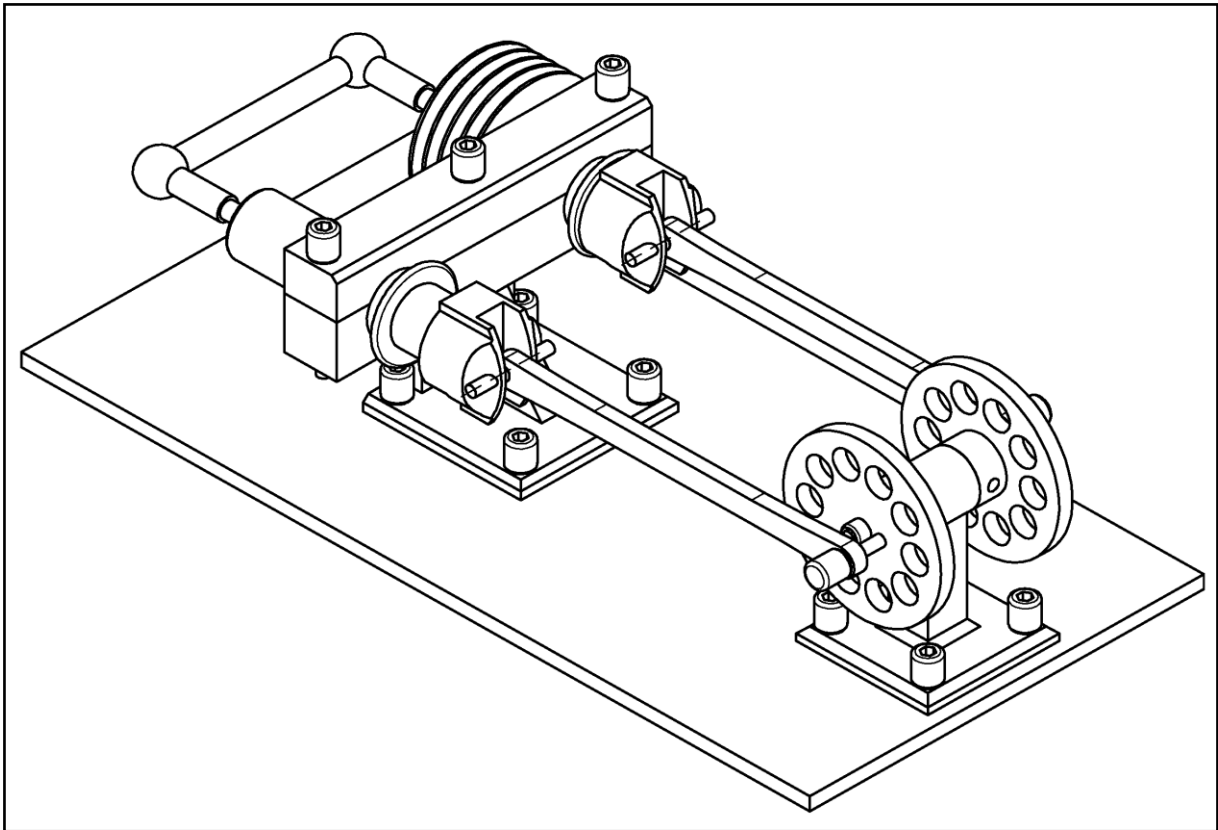
Using Siemens NX 11 Software

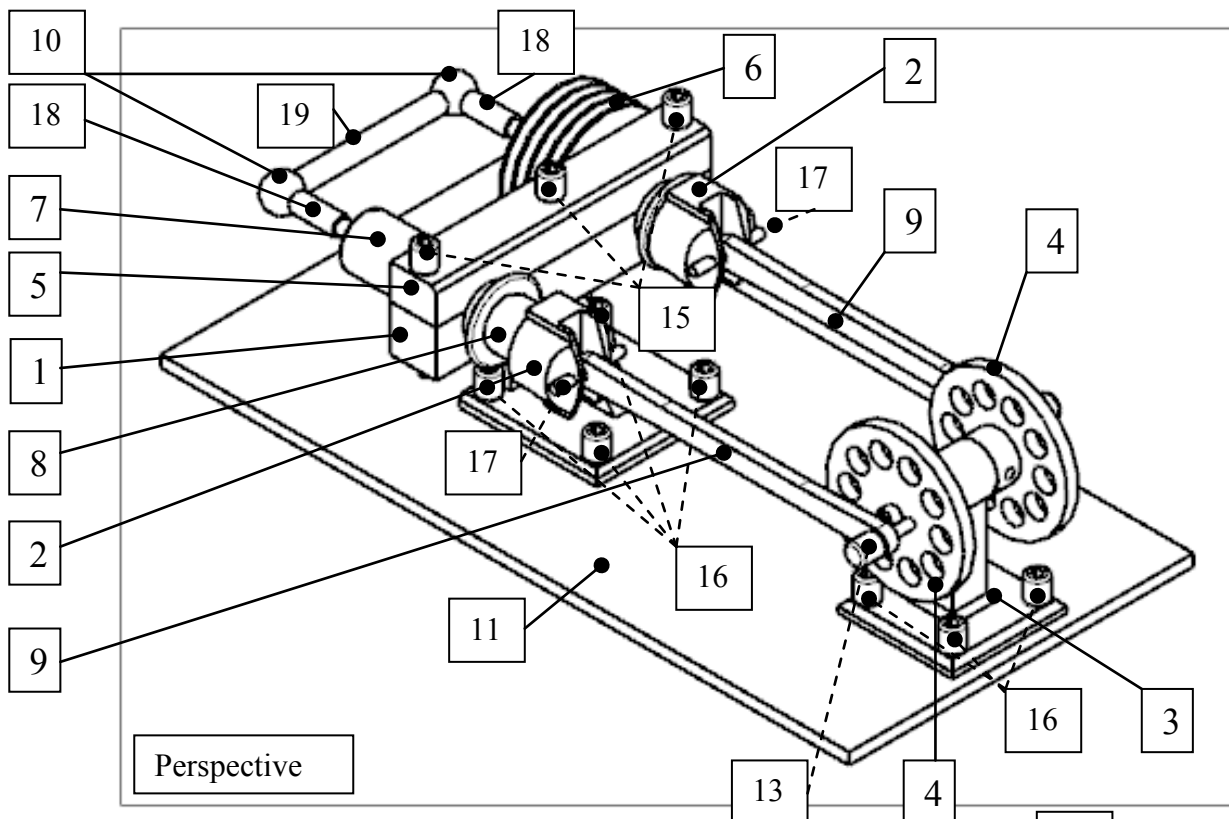
Assembly example - Stirling engine

The *Assembly* module will be used.

Assemble the parts as shown here below. A nomenclature of the parts is available here below.

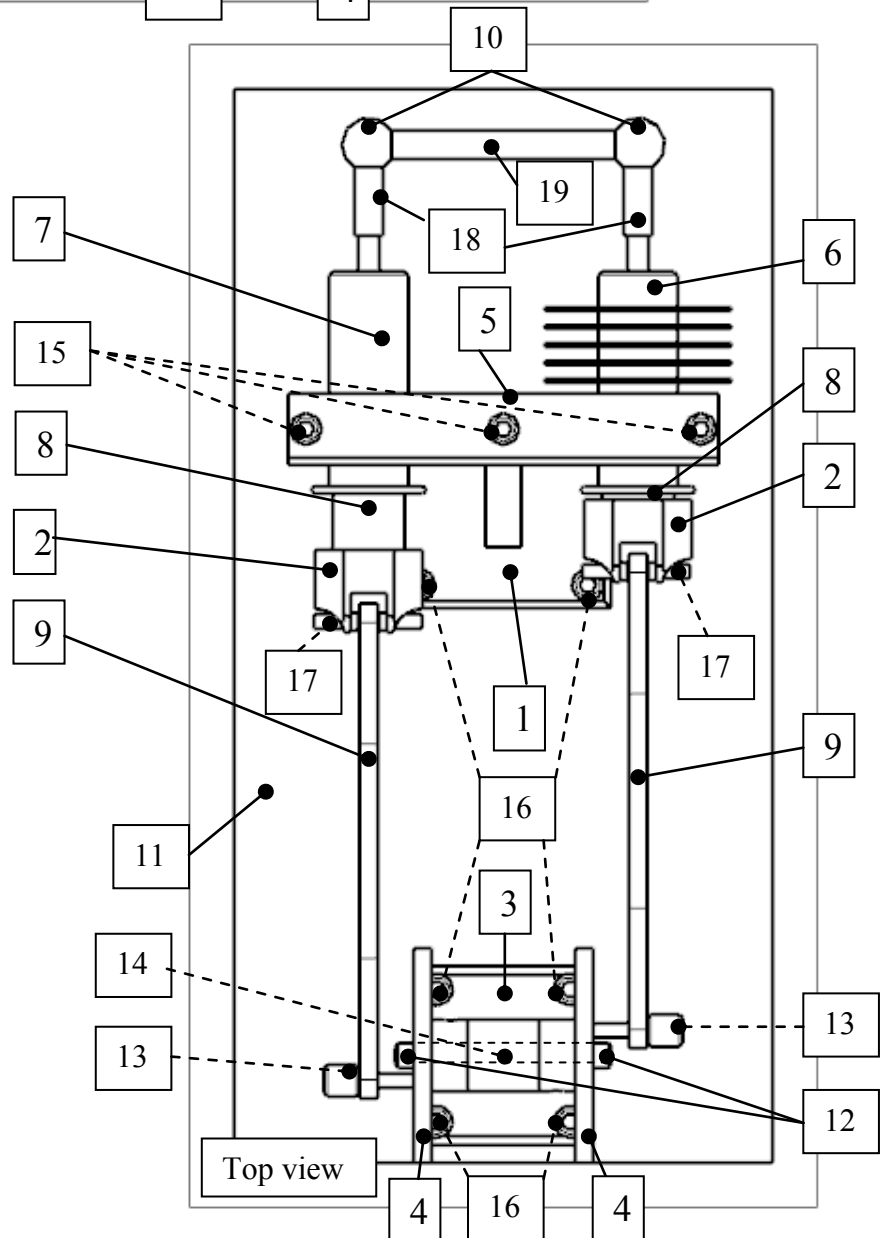
The figure below shows the configuration of the parts in space.





Perspective

| Part N° | Name | Quantity |
|---------|------------|----------|
| 1 | Foot 1 | 1 |
| 2 | Head | 2 |
| 3 | Support | 1 |
| 4 | Wheel | 2 |
| 5 | Foot 2 | 1 |
| 6 | Cylinder 1 | 1 |
| 7 | Cylinder 2 | 1 |
| 8 | Cylinder 3 | 2 |
| 9 | Rod | 2 |
| 10 | Connector | 2 |
| 11 | Plate | 1 |
| 12 | Nut | 2 |
| 13 | Screw 1 | 2 |
| 14 | Screw 2 | 1 |
| 15 | Screw 3 | 3 |
| 16 | Screw 4 | 8 |
| 17 | Screw 5 | 2 |
| 18 | Pipe 1 | 2 |
| 19 | Pipe 2 | 1 |



Top view

Stirling engine
Overview